

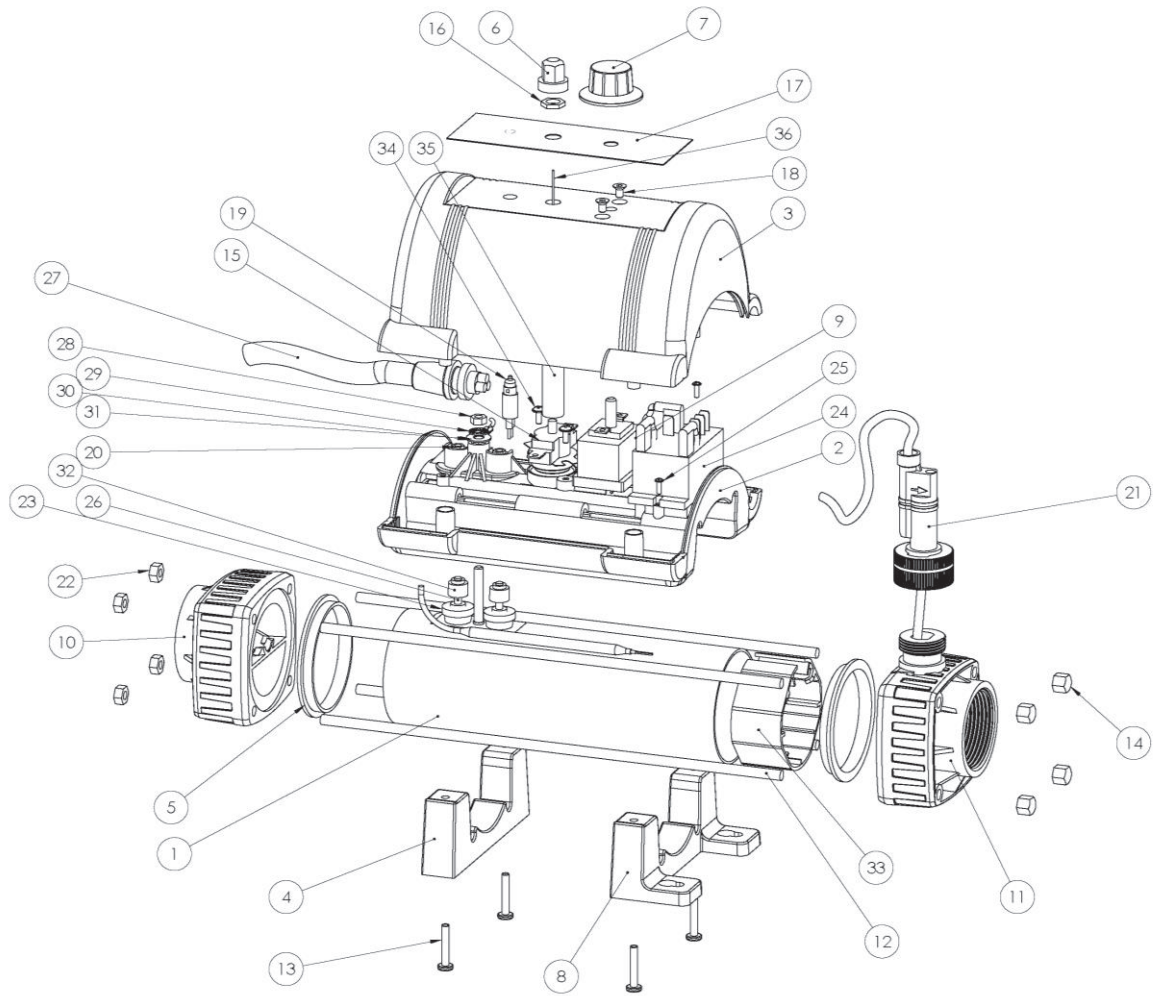
Nano Splasher

SPARE PART LISTS

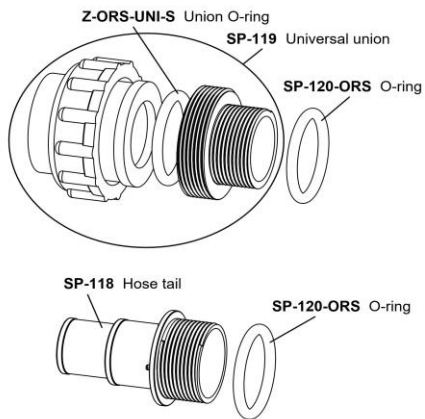


ELECR0
ENGINEERING

Nano Splasher



Water connections:



Item No.:	Description:	Pcs/Unit:	Part Number:	GBP RRP (£)	EUR RRP (€)
1	Titanium Flow Tube	1	X-TUB-TI200-1E	104.25	116.76
2	Electrical Bottom Cover / Bridge	1	Z-IM-NO-BC	18.25	20.44
3	Electrical Top Cover	1	Z-IM-NO-TC-BLU	27.25	30.52
4	Lower Foot (Without Key Hole Hooks)	1	Z-IM-NO-FL	15.25	17.08
5	TPE End Fitting Gasket	2	SP-117-GSK	3.50	3.92
6	Thermal Safety Cut-Out Cover	1	Z-MIS-HLS-CVR	7.25	8.12
7	Control Thermostat Dial	1	Z-MIS-CS-DIAL	3.50	3.92
8	Upper Foot (With Key Hole Hooks)	1	Z-IM-NO-FU	20.50	22.96
9	Control Thermostat	1	SP-MIS-CS	41.75	46.76
10	Left End Fitting (Non F/S)	1	SP-117	24.50	27.44
11	Right End Fitting (F/S)	1	SP-117B	24.50	27.44
12	273-mm M6 Tie Bar	4	Z-STU-273	8.00	8.96
13	M4 x 25-mm Zinc Coated Pozi Pan	4	Z-FIX-M4X25	4.00	4.48
14	M6 Cap Nut	4	Z-FIX-M6CAP	5.25	5.88
15	Thermal Safety Cut Out (Manual Reset)	1	Z-MIS-BS-60-50	18.50	20.72
16	M8 Hex Nut (For Thermal Cut Out)	1	Supplied with #15	-	-
17	Nano Ops Panel Overlay	1	Z-LAB-NANO	8.25	9.24
18	M4 x 6-mm S/S CSK	2	Z-FIX-M4X6CS	1.50	1.68
19	Neon Indicator Lamp	1	Z-MIS-NEON	5.00	5.60
20	M4 Hex Nut	2	Z-FIX-M4HEX	4.00	4.48
21	Nano Splasher Flow Switch	1	SP-107-N-S	38.75	43.40
22	M6 S/S Hex Nut	4	Z-FIX-M6HEX	5.25	5.88
23	EPDM Element Ferrule	2	Z-IM-EL-FER	7.50	8.40
24	Surface Mount Relay	1	SP-109	5.25	5.88
25	M3 x 14 -mm FLG Pozi Zinc Coated	2	Z-FIX-M3X12-FLG	1.50	1.68
26	Heating Element	1	Refer to Table 1	-	-
27	Power Supply Lead	1	X-CAB-N-SPA-R	29.00	32.48
28	M5 S/S Full Hex Nut	1	Z-FIX-M5HEX	5.25	5.88
29	M5 S/S Locking Washer	1	Z-FIX-M5LW	5.25	5.88
30	Earth Ring Terminal	1	Z-CON-YR53	7.25	8.12
31	M5 S/S Half Hex Nut	1	Z-FIX-M5HEX-N	5.25	5.88
32	Stepped Element Washer	2	Z-IM-EL-SW	2.00	2.24
33	Element Support	1	Z-IM-EL-SUP	5.00	5.60
34	M3 x 8 -mm FLG Pozi Zinc Coated	2	Z-FIX-M3X8FLG	1.80	2.02
35	Button Stat Holder	1	Z-MIS-N-BSH	11.00	12.32
36	Resetting pin	1	Z-MIS-N-RS	2.50	2.80
*	Nano Element Fixing Kit (Comprising of: 2x20, 2x23, 1x28, 1x29, 1x31, 2x32 & 1x33)	1	SP-EL-FIX-NANO	11.25	12.60

1.5" BSP Hose Tail for 1.5/1.25" Flexible Pipe	2	SP-118	10.50	11.76
1.5" BSP Universal Union for 1.5"/50-mm Pipe	2	SP-119	16.00	17.92
O-Rings (2 pcs in bag)	1	SP-120-ORS	2.00	2.24
44mm x 6mm Union O-Ring EPDM Shore 70	2	Z-ORS-UNI-S	3.75	4.20

Table 1. Replacement Heating Elements

Part Code:	Description:	GBP RRP (£)	EUR RRP (€)	No. of elements	Product Code:
SP-EL-Ti2KW7T	2-kW Titanium Heating Element	112.25	125.72	1	N-AGP-UK-T2 N-AGP-EU-T2
SP-EL-Ti2.8KW7T	3-kW Titanium Heating Element	119.00	133.28	1	N-AGP-UK-T N-AGP-EU-T

Improving pools *globally*

11 Gunnels Wood Park, Gunnels Wood Road,
Stevenage, Hertfordshire, SG1 2BH, UK

Tel: +44 1438 749 474

Email: sales@elecro.co.uk

Web: www.elecro.co.uk

We reserve the right to change all or part of the features of the articles
or contents of this document, without prior notice.

SPL121-EN-Nano Splasher Spare Parts List V1-01.01.2020-Elecro
